

Newsletter

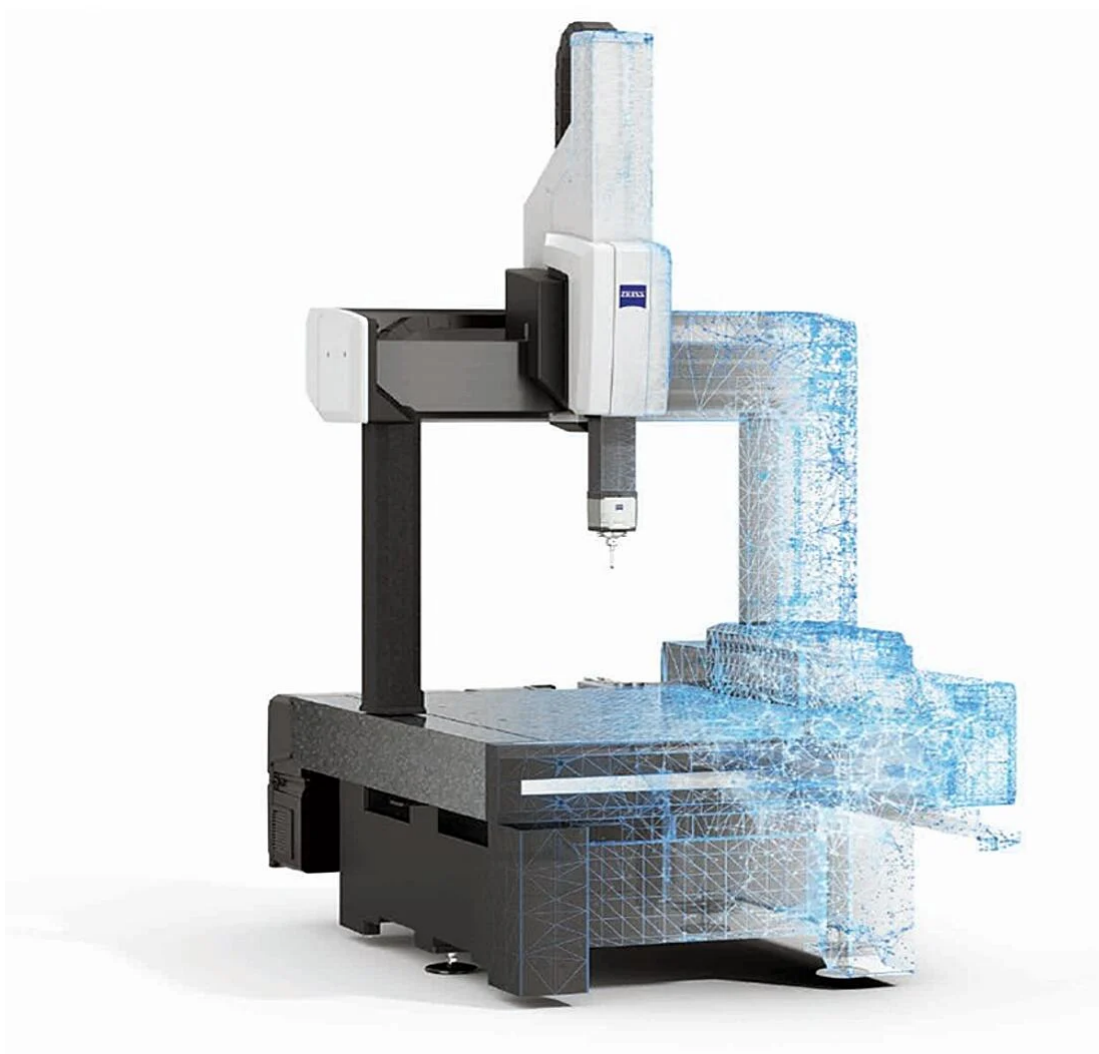
August 2021

SCAN-XPRESS
EXCELLENCE IN 3D MEASUREMENT

gom | CERTIFIED
a ZEISS company PARTNER



THIRD DIMENSION
ADVANCING MANUFACTURING



Webinar: Quality Checks using CMMs in

Australian Specific Applications

Scan-Xpress invites you to join our FREE webinar presentation discussing efficient use of **CMMs** in **manufacturing** and **quality control** applications.

: Tuesday September 21 @ 11:00 Australian Eastern Time

During this webinar our application engineer **Josh Span** and metrology expert **Benjamin Singer** will discuss 9 Australian industry relevant manufacturing processes:

1. **Aerospace** components
2. **Precision machined** parts
3. **Medical device** & orthopaedics implant manufacturing
4. **Plastics injection** moulding
5. **Metal** casting and mould design
6. **Gear** manufacturing
7. **Additive manufacturing** processes
8. **Turbine** blade manufacturing
9. Carbon fibre lamination

Each manufacturing process will be explored in detail highlighting the ideal integration of quality control gates and **CMMs** into the process.

Register Today

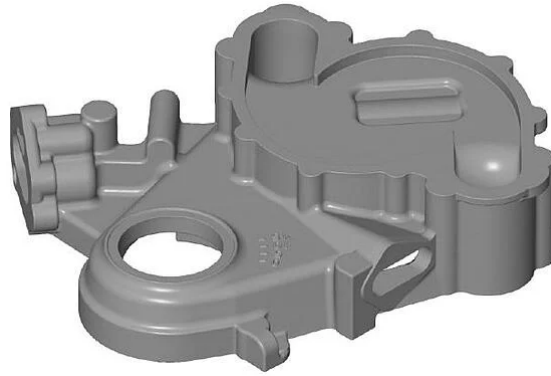


New Product: GOM Scan 1 3D Scanner

The **GOM Scan 1** is the latest addition to the **#HandsOnMetrology** platform. It is a compact and mobile **3D scanner** enabling digital object capture and achieving precise 3D meshes at a price point that any Australian business can afford. It is intended for designers, manufacturers and industrial users looking for a simple and affordable solution. Its main areas of application include **quality control**, **reverse engineering** and **additive manufacturing**.

[Read more about GOM Scan 1](#)





We recently received our first shipment of three scanners at our Melbourne head office and have been putting the system through its paces! Our team performed a few test scans and the results look amazing.

Check out our latest blog post using the link below to read about our test scan using **GOM Scan 1** on a 3D printed medium sized part. A downloadable full inspection report is also available at the bottom of the article.

GOM Scan 1 - Test Scan

gom LIVE Training: GOM Suite 2021 Updates



Featuring



Benjamin Singer

Josh Span

SCAN-XPRESS
EXCELLENCE IN 3D MEASUREMENT

eLearning: GOM Suite 2021 Update

Scan-Xpress is hosting an exclusive live eLearning webinar for its Australian and New Zealand customers and GOM Software users. During this 30 minute event, **Benjamin Singer** (Metrology Expert) and **Josh Span** (Quality Control Application Engineer) will discuss the latest features and updates to **GOM Suite 2021**

: Thursday September 2 @ 11:00 Australian Eastern Time

Our team will go through the latest features in a live demonstration format as well as allow time for Q&A. Here are some of the content that will be presented:

- New interface and workflow features
- Multi-part scanning functionalities
- Inspection automation including GD&T quick creation

If you have purchased one of our system or are using GOM Software in your day to day, please register using the link below.

Register Today

Feel free to share this Newsletter with colleagues and friends!

Keep up to date with Scan-Xpress via our socials and website:



Scan-Xpress, 9/306 Albert St, Brunswick, VIC 3056, Australia, 1300 3D SCAN

[Unsubscribe](#) [Manage preferences](#)